

MODEL	ANTENNA OPTION	GAIN (dBi)	L
TCD50	1	2.00	12.4" (315 mm)
TCD60	2	2.00	16.2" (412mm)
	3	4.35	16.6" (422 mm)
	4	6.00	18.9" (482 mm)

THIS DOCUMENT IS PROPRIETARY PROPERTY OF UNITED ELECTRIC CONTROLS. UNAUTHORIZED USE IS STRICTLY PROHIBITED.

APPROVALS	DATE
DRAWN BY: ASK	8/1/2018
CHECKED BY: SR	8/15/2018
APPROVED BY: ASK	8/16/2018

UE UNITED ELECTRIC CONTROLS
 LEADERS IN SAFETY, ALARM & SHUTDOWN
 180 Dexter Avenue
 Watertown, MA. 02472
 617-926-1000
 www.ueonline.com

THIRD ANGLE PROJECTION

UNLESS OTHERWISE SPECIFIED DIMENSIONS & TOLERANCES ARE IN INCHES (MM)
 INTERPRET PER ASME Y14.5M-2009 STANDARD TOLERANCES

DECIMALS ANGLES
 X ± 0.03 ± 1/2°
 XX ± 0.01 FRACTIONS
 XXX ± 0.005 ± 1/64

TITLE:
VANGUARD WIRELESS GAS DETECTOR

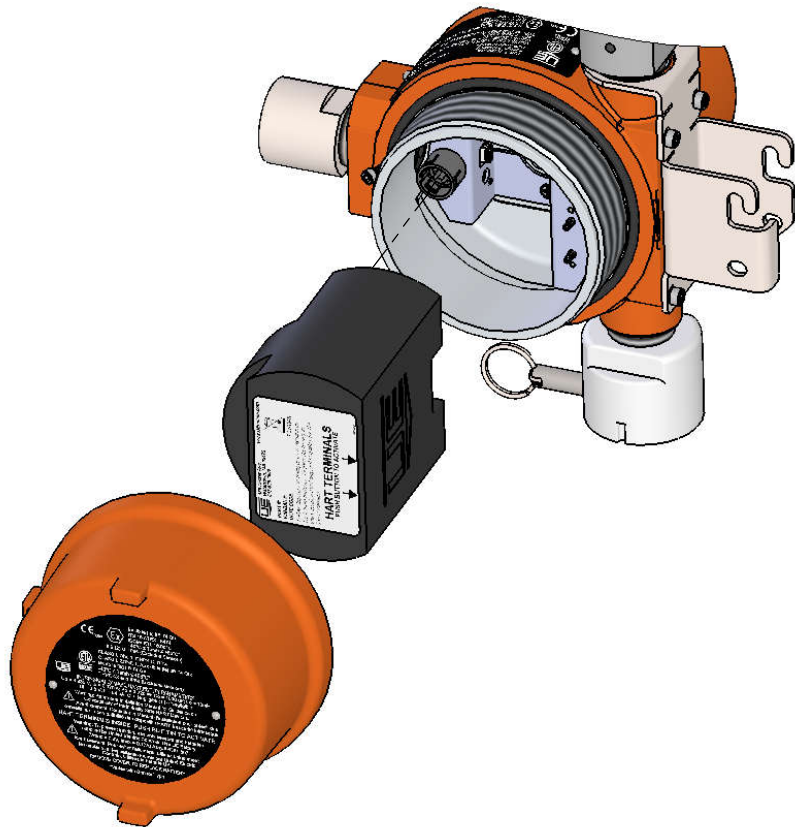
SIZE **A** DRAWING NO. **14067** REV **C**

SCALE: 1:3 DO NOT SCALE THIS DRAWING SHEET 1 OF 4

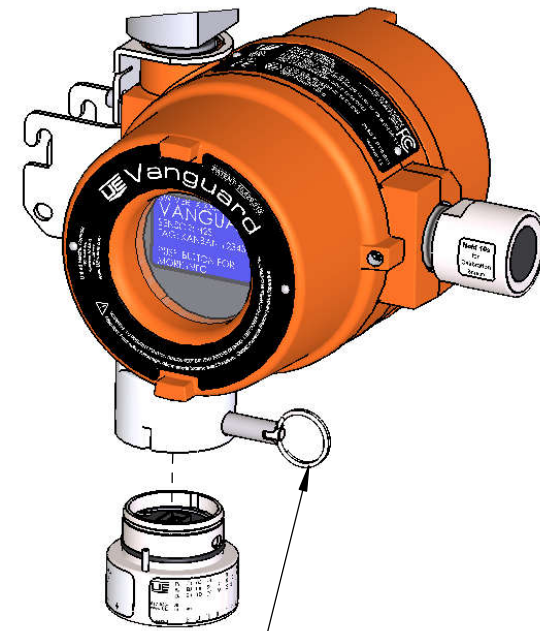
REV	ECN#	DESCRIPTION	DATE	DRWN	APPD
C	E7022	ADDED ANTENNA TABLE AND "L" DIMENSION	11/2/2021	ASK	ASK
B	E6457	ADDED MAGNETIC AND UNIVERSAL MOUNTS (SHEET 4)	2-15-19	RCI	RAM
A	E6333	FIRST ISSUE	8-16-18	ASK	ASK
REV	ECN#	DESCRIPTION	DATE	DRWN	APPD

REVISION HISTORY

BATTERY INSTALLATION

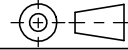


SENSOR INSTALLATION



RETRACT THE LOCKING PIN BEFORE INSTALLING SENSOR, THEN ROTATE TO LOCK

THIS DOCUMENT IS PROPRIETARY PROPERTY OF UNITED ELECTRIC CONTROLS. UNAUTHORIZED USE IS STRICTLY PROHIBITED.

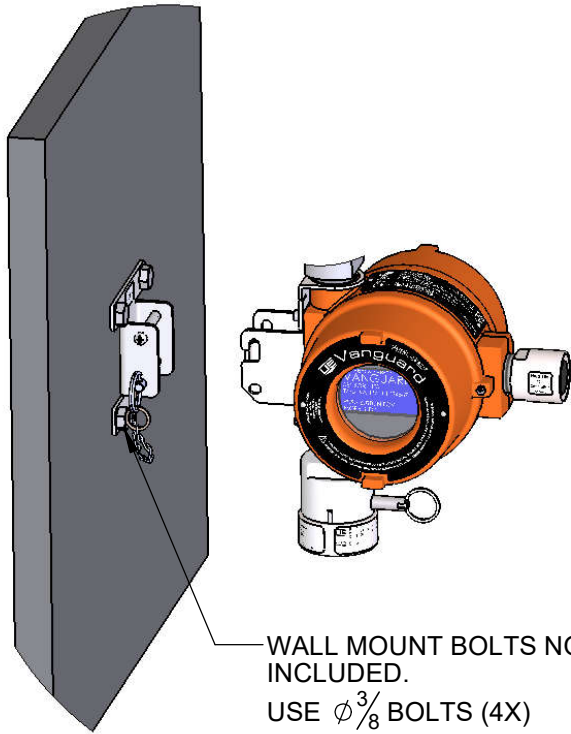
THIRD ANGLE PROJECTION 

UNLESS OTHERWISE SPECIFIED
DIMENSIONS & TOLERANCES
ARE IN INCHES (MM)
INTERPRET PER ASME Y14.5M-2009
STANDARD TOLERANCES

DECIMALS	ANGLES
X ± 0.03	± 1/2°
XX ± 0.01	FRACTIONS ± 1/64
XXX ± 0.005	

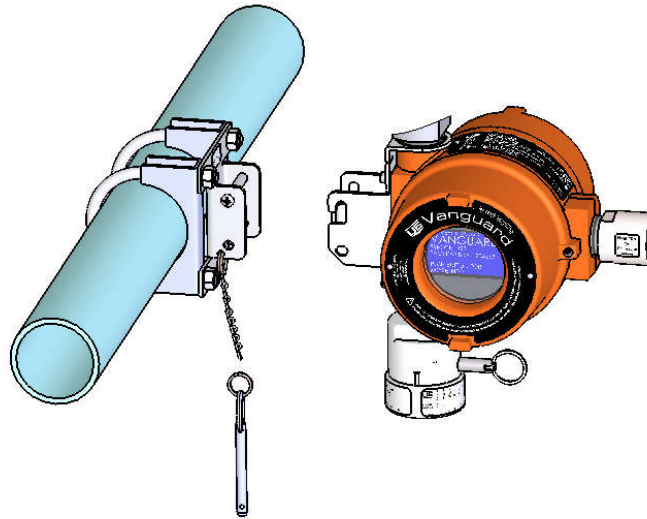
 UNITED ELECTRIC CONTROLS <small>LEADERS IN SAFETY, ALARM & SHUTDOWN</small>		180 Dexter Avenue Watertown, MA. 02472 617-926-1000 www.ueonline.com	
		SIZE A	DRAWING NO. 14067
SCALE: 1:3		DO NOT SCALE THIS DRAWING	
SHEET 2 OF 4			

WALL MOUNT

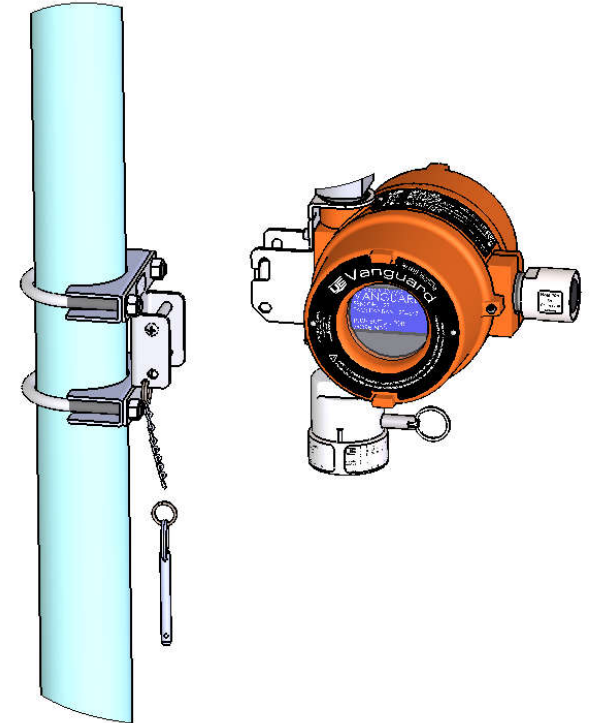


WALL MOUNT BOLTS NOT INCLUDED.
USE $\phi 3/8$ BOLTS (4X)

HORIZONTAL PIPE MOUNT

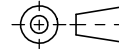


VERTICAL PIPE MOUNT



THIS DOCUMENT IS PROPRIETARY PROPERTY OF UNITED ELECTRIC CONTROLS. UNAUTHORIZED USE IS STRICTLY PROHIBITED.

THIRD ANGLE PROJECTION



UNLESS OTHERWISE SPECIFIED
DIMENSIONS & TOLERANCES
ARE IN INCHES (MM)
INTERPRET PER ASME Y14.5M-2009
STANDARD TOLERANCES

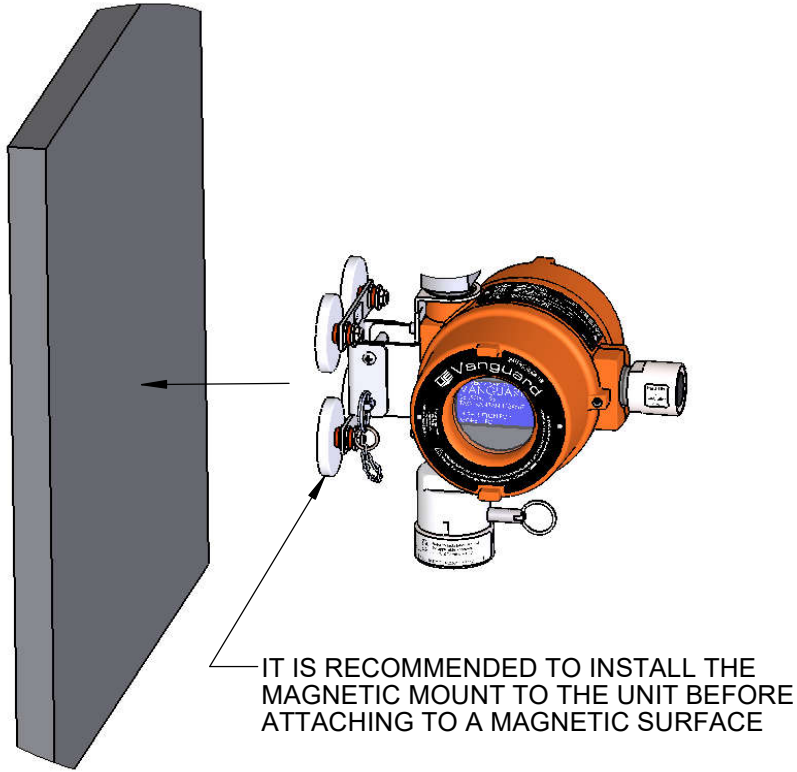
DECIMALS	ANGLES
X ± 0.03	± 1/2°
XX ± 0.01	FRACTIONS ± 1/64
XXX ± 0.005	

UE UNITED ELECTRIC CONTROLS
LEADERS IN SAFETY. ALARM & SHUTDOWN

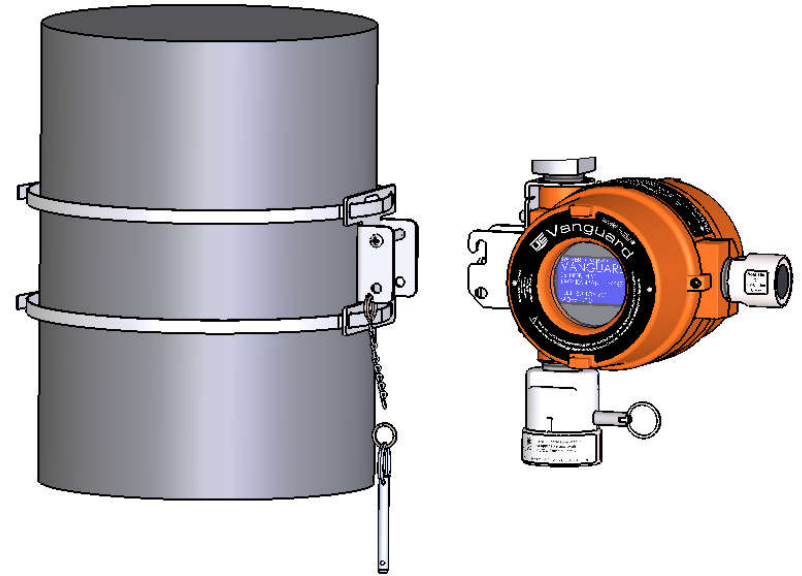
180 Dexter Avenue
Watertown, MA. 02472
617-926-1000
www.ueonline.com

SIZE	DRAWING NO.	REV
A	14067	C
SCALE: 1:5	DO NOT SCALE THIS DRAWING	SHEET 3 OF 4

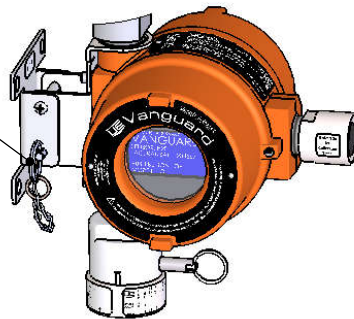
MAGNETIC MOUNT



UNIVERSAL MOUNT



ONCE PRODUCT IS ATTACHED TO MOUNTING BRACKET, INSERT THE QUICK RELEASE PIN TO SECURE UNIT



THIS DOCUMENT IS PROPRIETARY PROPERTY OF UNITED ELECTRIC CONTROLS. UNAUTHORIZED USE IS STRICTLY PROHIBITED.

THIRD ANGLE PROJECTION

UNLESS OTHERWISE SPECIFIED
DIMENSIONS & TOLERANCES
ARE IN INCHES (MM)
INTERPRET PER ASME Y14.5M-2009
STANDARD TOLERANCES

DECIMALS	ANGLES
X ± 0.03	± 1/2°
XX ± 0.01	FRACTIONS ± 1/64
XXX ± 0.005	

UE UNITED ELECTRIC CONTROLS
LEADERS IN SAFETY, ALARM & SHUTDOWN

180 Dexter Avenue
Watertown, MA. 02472
617-926-1000
www.ueonline.com

SIZE	DRAWING NO.	REV
A	14067	C
SCALE: 1:3		DO NOT SCALE THIS DRAWING
		SHEET 4 OF 4